

**VANDORN™**

**Newbury**

**MODEL 200**

*Tie Bar Vertical Clamp*

**Injection Unit**

	Measure	6-oz.	9-oz.	15-oz.	21-oz.
Injection Capacity (GPPS)	oz. g	6.5 184	9.1 258	15.3 434	21.5 610
Injection Capacity	cu. in. ccm	12.0 197	16.8 276	28.3 463	39.8 652
Recovery Rate (GPPS)	oz./sec. g/sec	1.10 31.2	1.32 37.4	1.34 38.0	1.25 35.4
Injection Pressure	psi bar	20,898 1,440	20,898 1,440	25,000 1,720	19,753 1,360
Injection Rate (@ 10,000 psi) (@ 700 bar)	cu. in./sec. ccm/sec	14.0 229	14.0 229	11.7 192	14.8 243
Injection Stroke	in. mm	5.0 127	7.0 178	9.0 229	10.0 254
Screw Diameter	in. mm	1.75 44	1.75 44	2.00 51	2.25 57
Screw L/D Ratio		16/1 16/1	20/1 20/1	20/1 20/1	20/1 20/1
Max. Screw Speed	rpm rpm	329 329	329 329	283 283	197 197
Back Pressure Adjust	psi bar	75-300 5-21	75-300 5-21	75-300 5-21	75-300 5-21
Barrel Heating Capacity	kW kW	8.0 8.0	9.6 9.6	11.3 11.3	15.0 15.0

**General Machine Specifications**

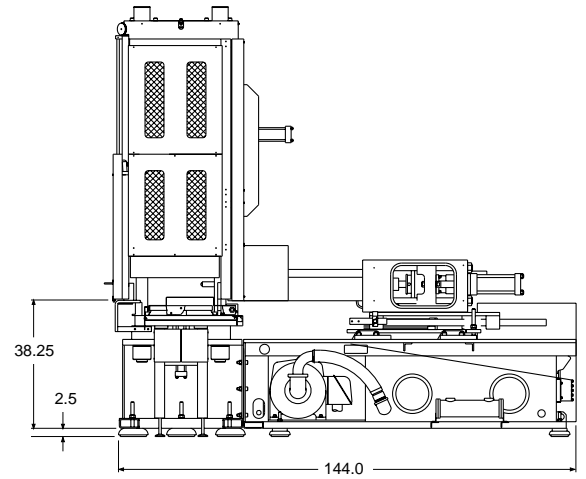
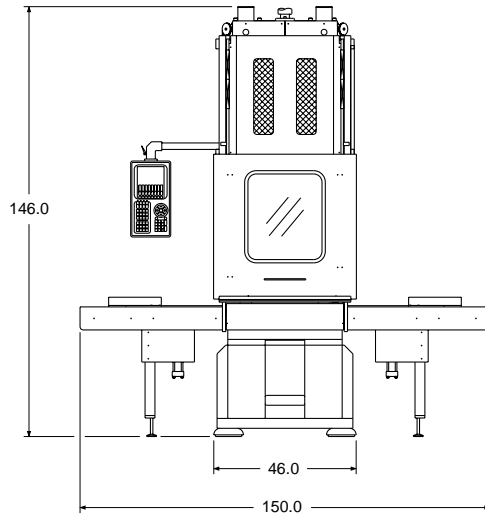
	Measure	6-oz.	9-oz.	15-oz.	21-oz.
Pump Motor	hp kW	40 30	40 30	40 30	40 30
Pump Capacity	gpm lpm	49 185	49 185	49 185	49 185
Oil Capacity	gal. L	130 492	130 492	130 492	130 492
Machine Weight (approx.)	lb. kg	19,500 8,800	19,500 8,800	19,500 8,800	19,500 8,800
<b>Machine Dimensions</b>					
Length	ft. m	14.0 4.3	14.0 4.3	14.0 4.3	14.0 4.3
Width	ft. m	12.5 3.8	12.5 3.8	12.5 3.8	12.5 3.8
Height	ft. m	12.0 3.7	12.0 3.7	12.0 3.7	12.0 3.7

Performance specifications are based on theoretical data and mold, material and conditions. Since continuous improvement is Van Dorn Demag's policy, we reserve the right to change specifications, designs and performance data without prior notice or obligation.

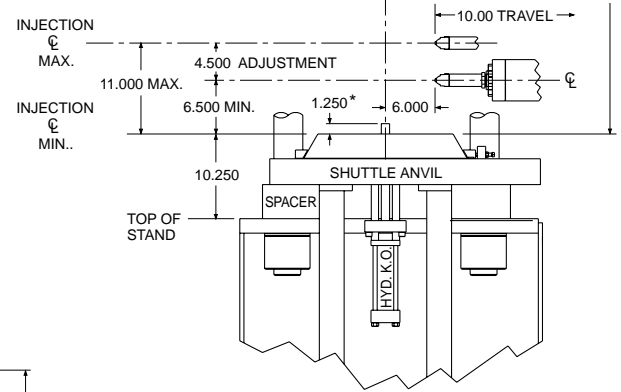
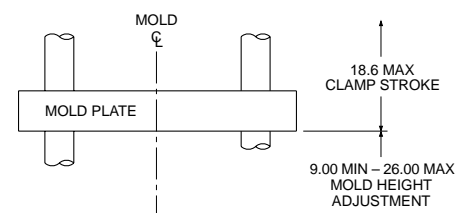
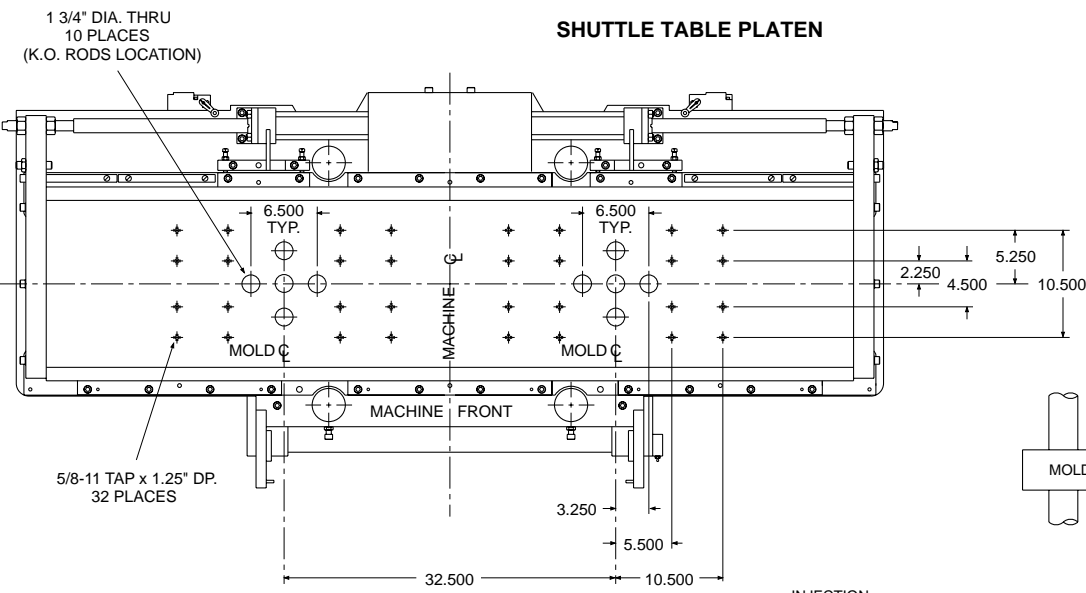
**Clamp Unit**

Clamp Force	U.S. tons kN	200 1,779
Clamp Stroke – Max.	in. mm	18.4 473
Open Daylight – Max.	in. mm	44.6 1,133
<b>Mold Thickness</b>		
Minimum	in. mm	9 229
Maximum	in. mm	26 686
<b>Max. Mold Space</b>		
Depth	in. mm	20 514
Width	in. mm	30 762
<b>Distance Between Tie Bars</b>		
Depth	in. mm	20 514
Width	in. mm	20 514
<b>Center Line of Injection</b>		
Minimum	in. mm	6.5 165
Maximum	in. mm	11 279
Shuttle Stroke	in. mm	32.5 826
<b>Upper Platen Size</b>		
Depth	in. mm	32 806
Width	in. mm	34 854
Tie Bar Diameter	in. mm	3.5 89
<b>Clamp Speeds</b>		
Closing	in./sec. mm/sec	20 508
Opening	in./sec. mm/sec	16 406

The specifications listed are standard. However, Van Dorn Demag will provide engineered options and solutions to meet virtually any performance requirements including high-pressure and high-speed configurations.



**SHUTTLE TABLE PLATEN**



\*NOTES:  
 1.250" IS THE EFFECTIVE KNOCKOUT STROKE  
 DIMENSIONS ARE SYMMETRICAL ABOUT CENTERLINE UNLESS SPECIFIED OTHERWISE

**MOVABLE PLATEN**

